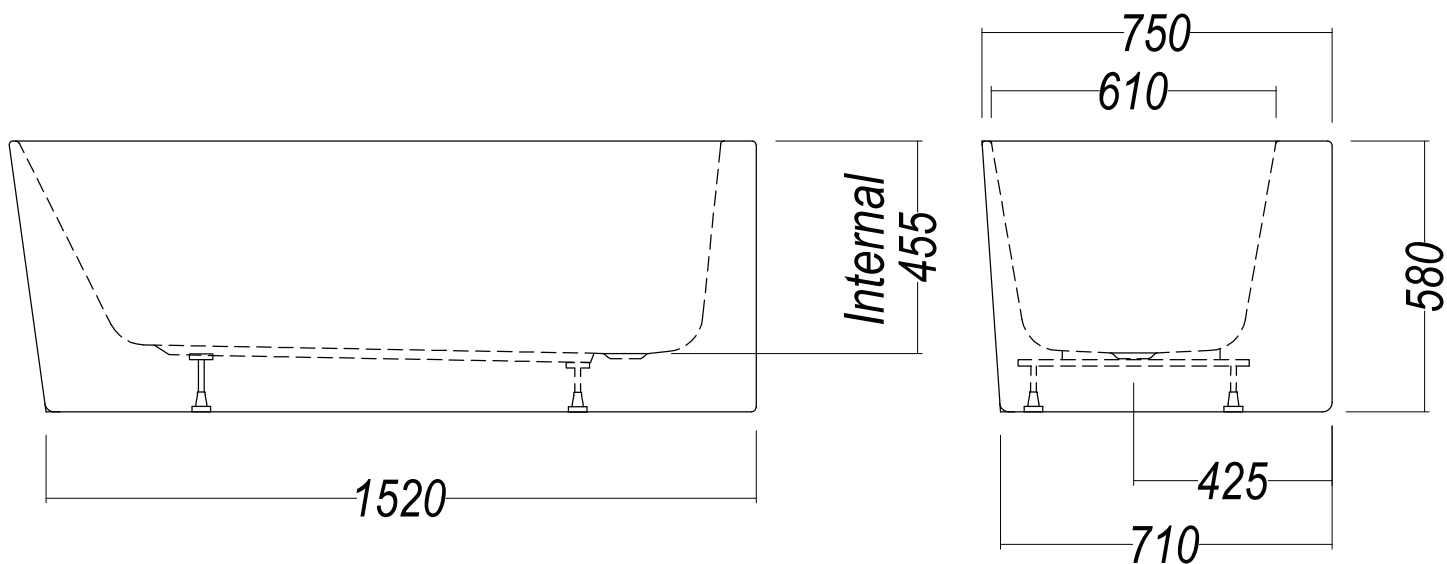
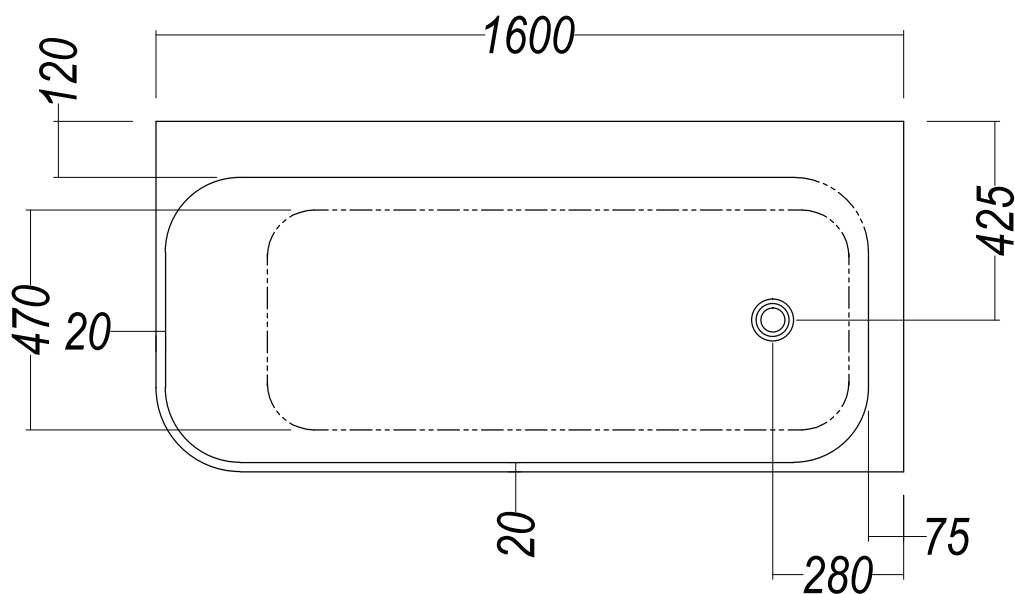


# CONTRO Right Hand



250 litres measured 80mm down from top perimeter