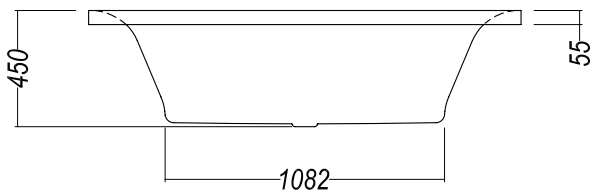
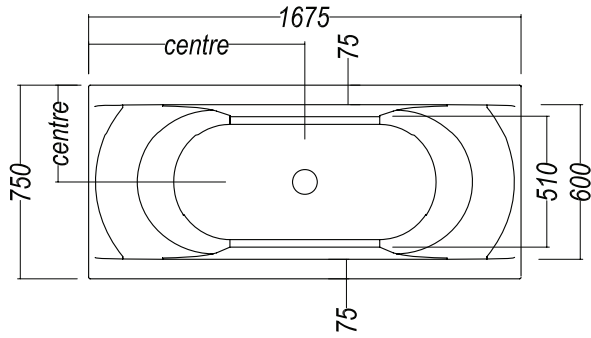
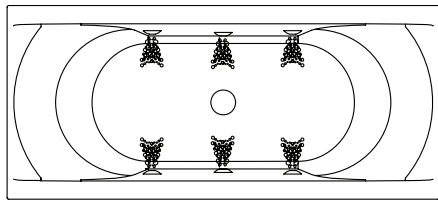


LIQUID Bath

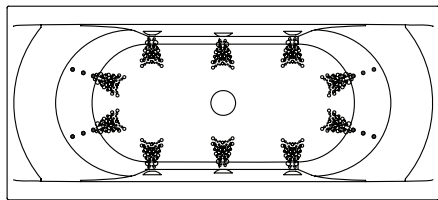
Liquid 1675



Factory framed height - 515mm
Internal Depth - 435mm



Pump Access A Pump Access B

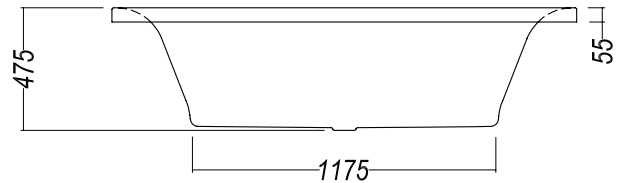
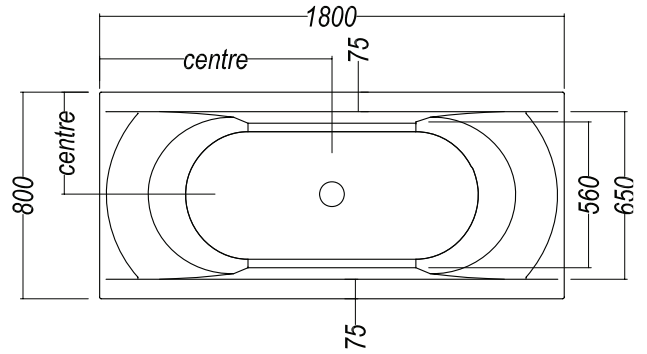


Pump Access A Pump Access B

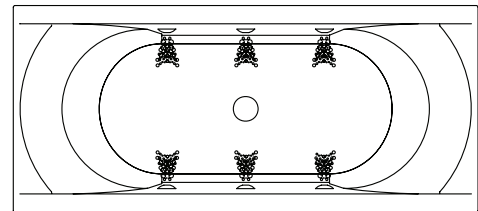
170 litres to overflow
110 litres operational - Spa
120 litres operational-Hydro

All Dimensions are nominal

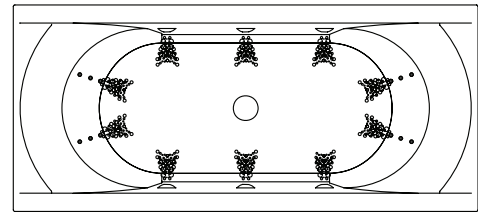
Liquid 1800



Factory framed height - 540mm
Internal Depth - 450mm



Pump Access A Pump Access B



Pump Access A Pump Access B

220 litres to overflow
120 litres operational - Spa
140 litres operational-Hydro