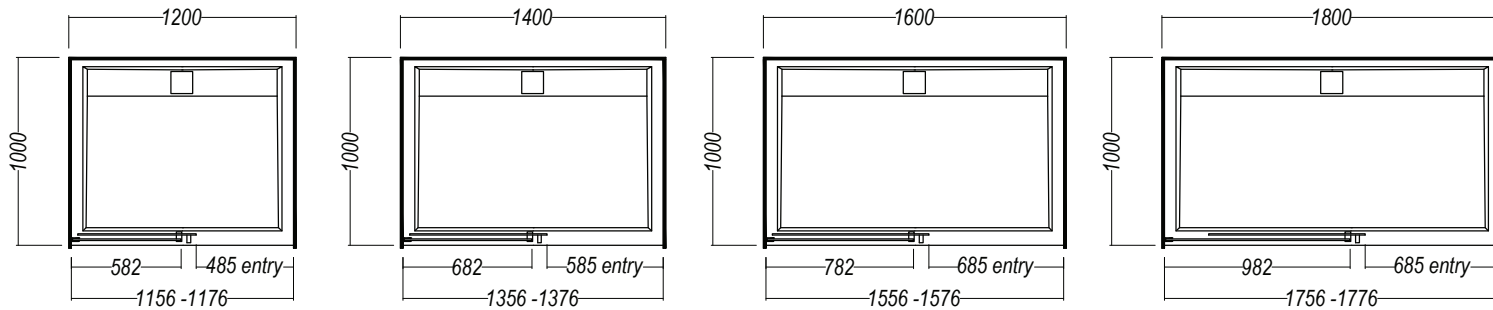


MOTIO Shower

3 WALL



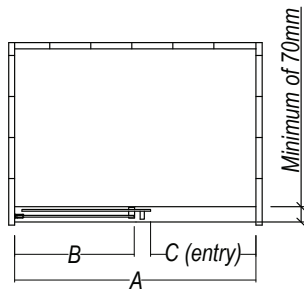
Motio Door & Return on tray with acrylic walls or tiled walls.

If tiling walls, tile thickness must be 10mm or less.

Please note: A different sized Return Panel is used For Tiled Wall Applications. Please see table below.

3 WALL - MOTIO DOOR & RETURN FOR FULLY TILED INSTALLATIONS

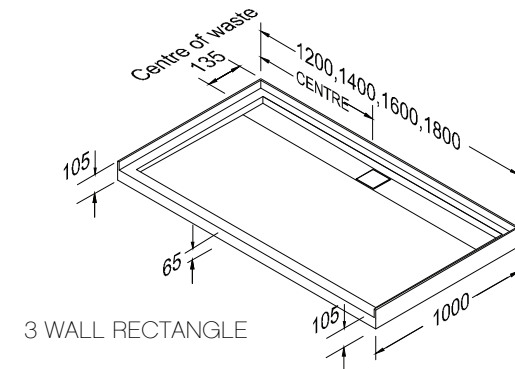
Fully tiled packages include sliding door set and silicone



MOTIO DOOR SET ON TILED FLOOR & WALL

Shower Size	Dimension A (mm)	Dimension B (mm)	Dimension C (mm)	Product Codes
1200	1156-1176	582	485	KDMOB2A
1400	1356-1376	682	585	KDMOB4A
1600	1556-1576	782	685	KDMOB6A
1800	1756-1776	982	685	KDMOB8A

Maximum wall tile thickness - 10mm



3 WALL RECTANGLE