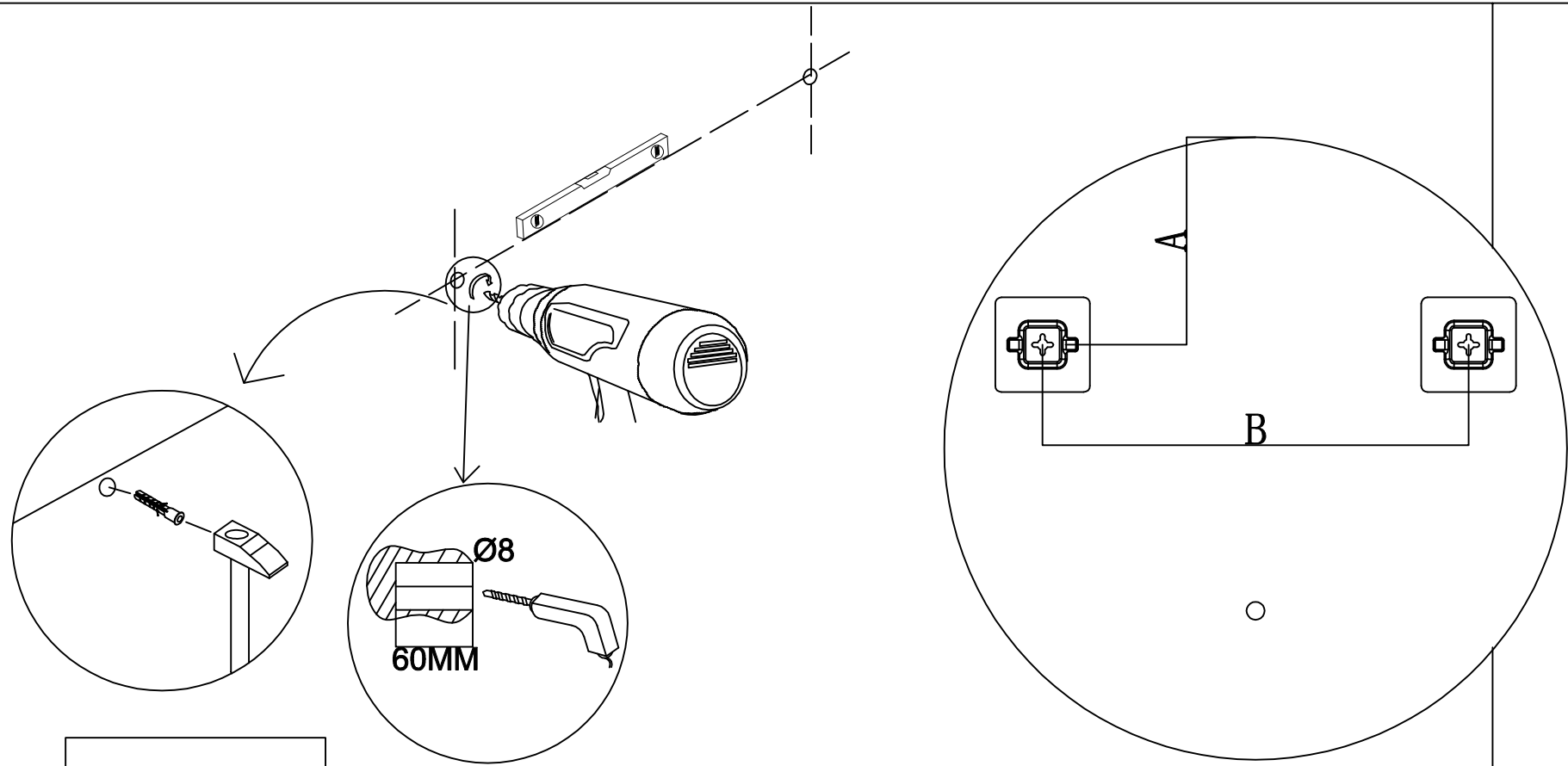
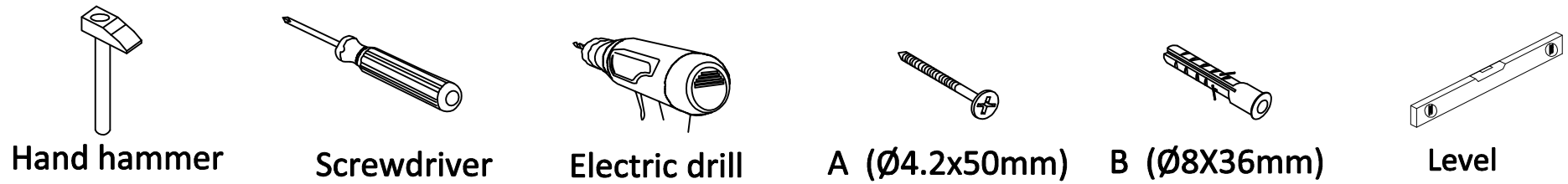
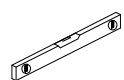

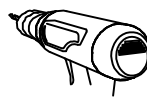

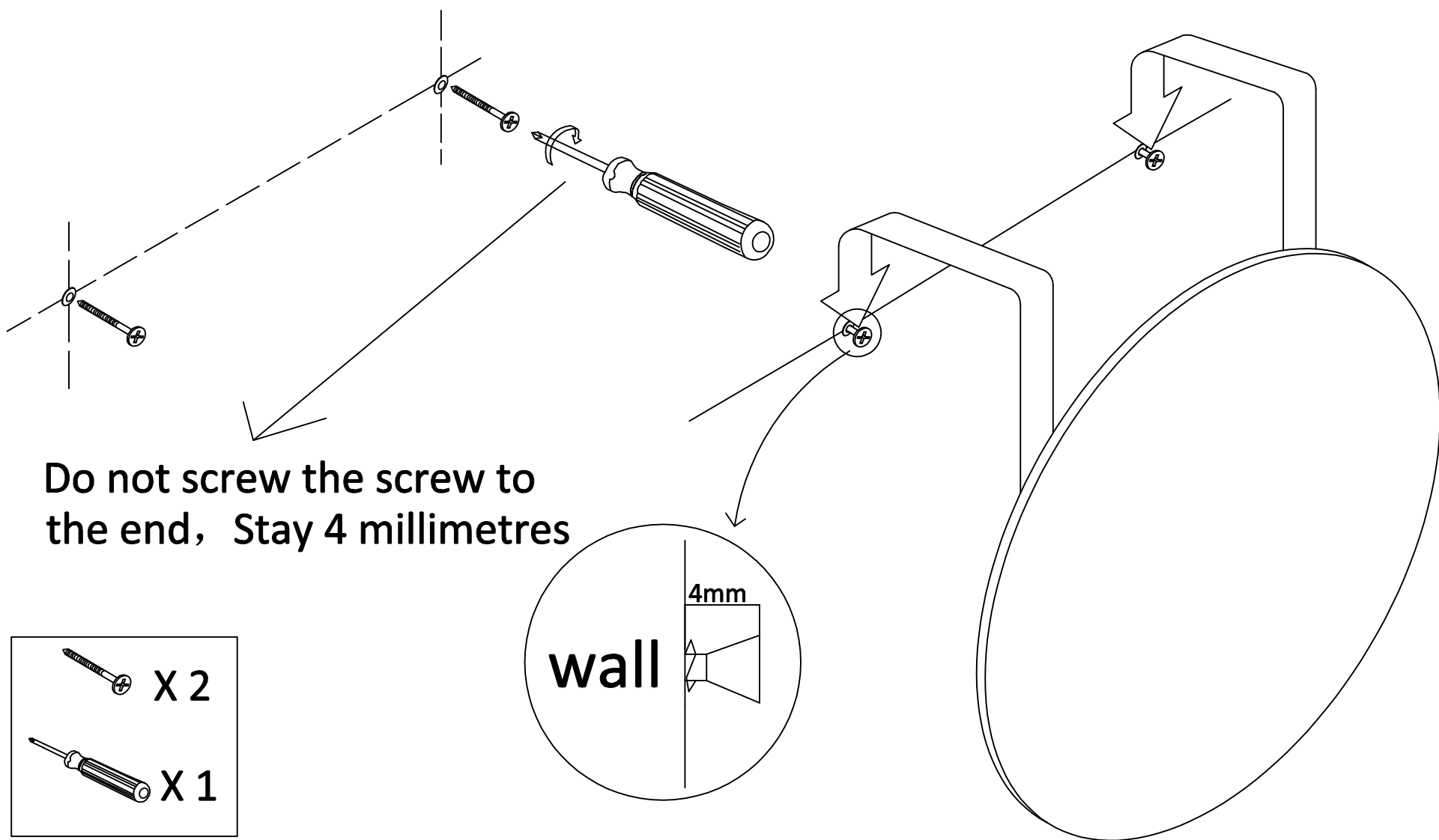



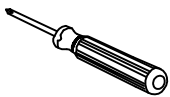
Needed tools



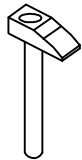
-  X 1
-  X 1
-  X 1
-  X 2

Mirror	A	B
ø590	180	244
ø690	230	472

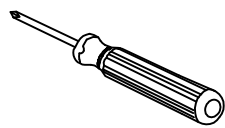


-  X 2
-  X 1

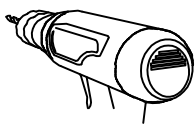
Needed tools



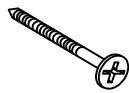
Hand hammer



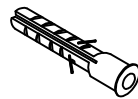
Screwdriver



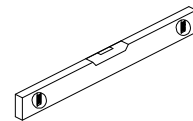
Electric drill



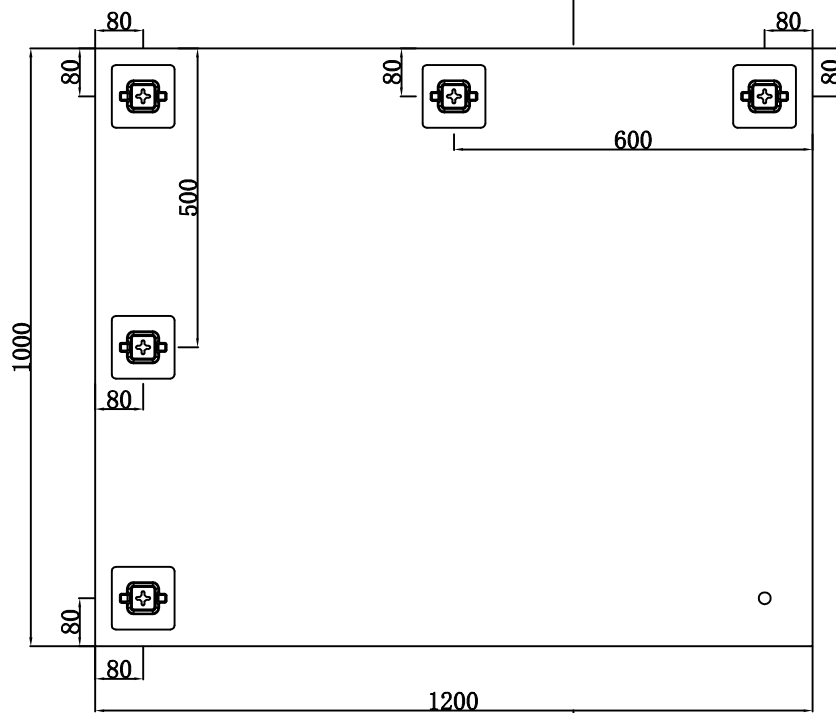
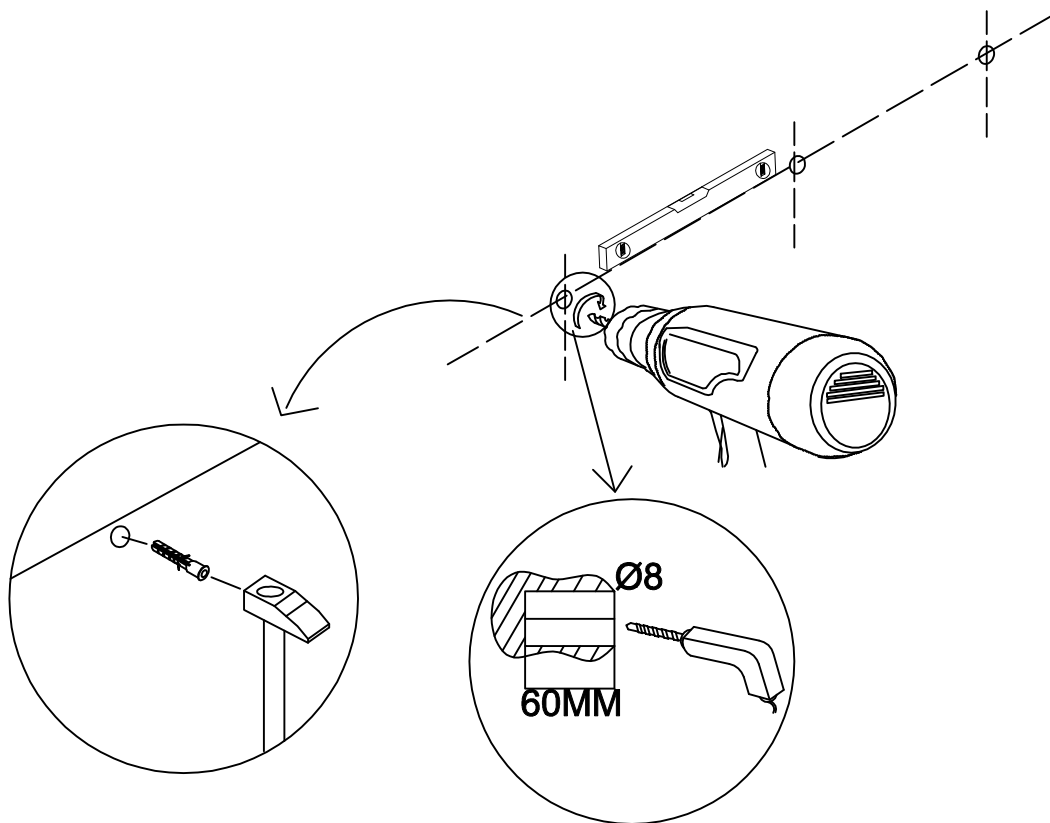
A (Ø4.2x50mm)



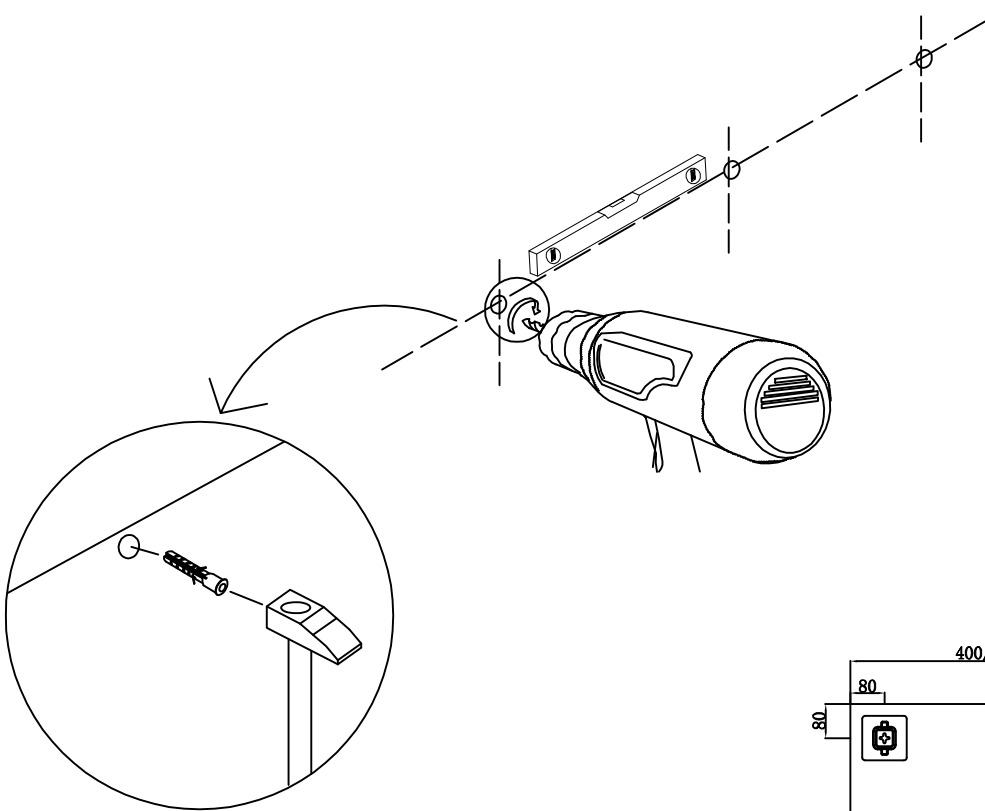
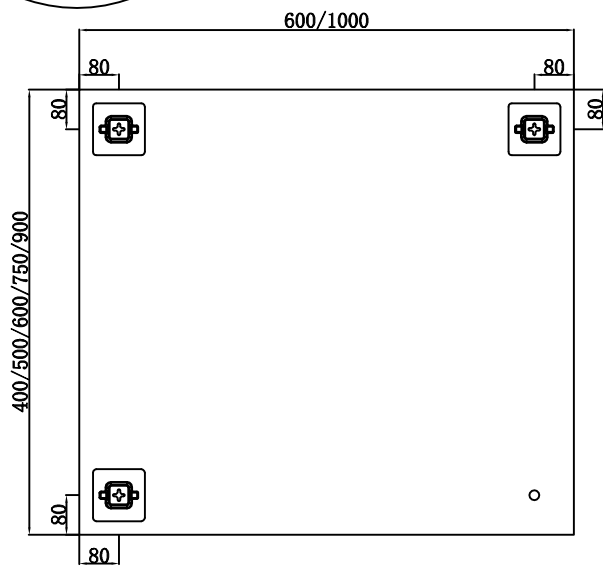
B (Ø8x36mm)



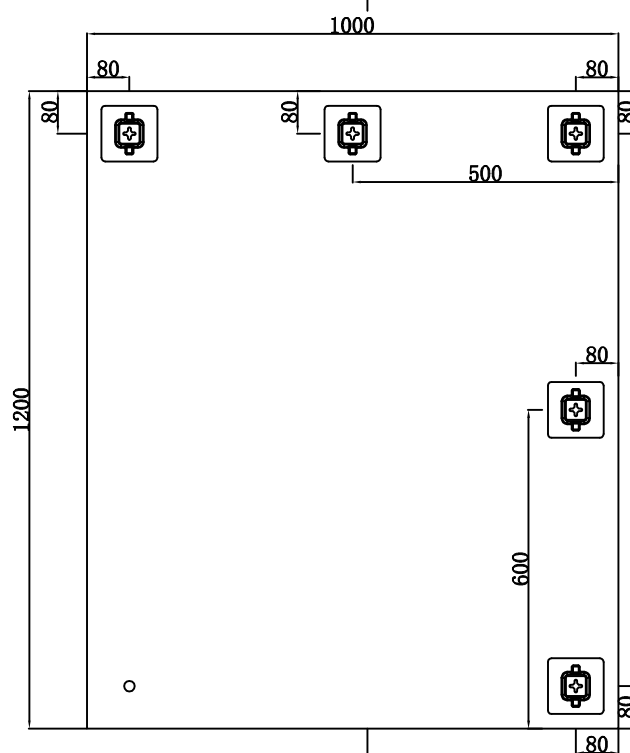
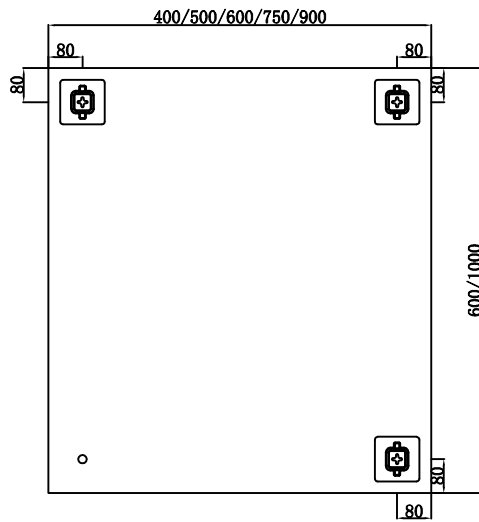
Level

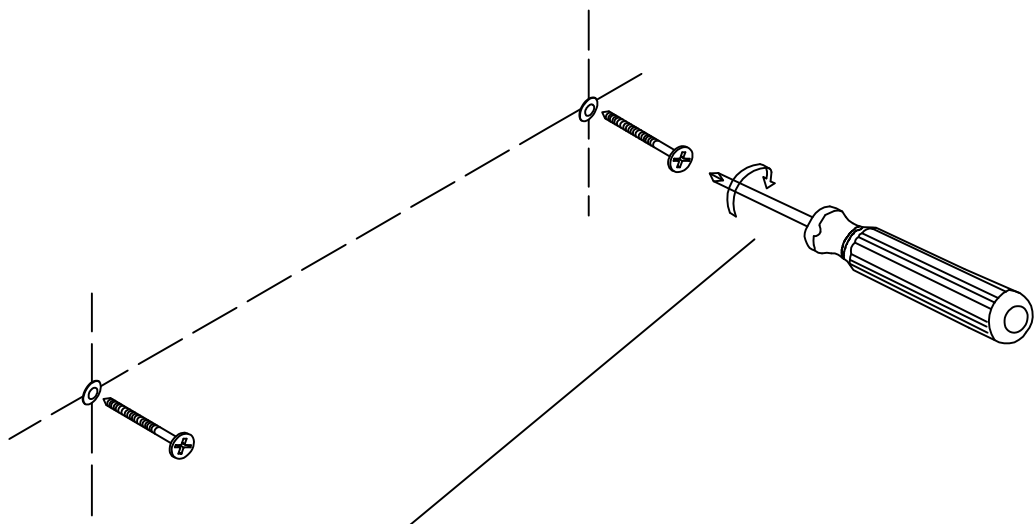


- X 1
- X 1
- X 1
- X 2



- X 1
- X 1
- X 2





Do not screw the screw to the end, Stay 4 millimetres

