

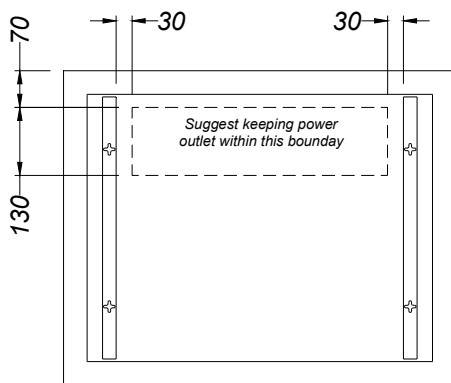
Illuminar LED Mirror Instructions

IMPORTANT:

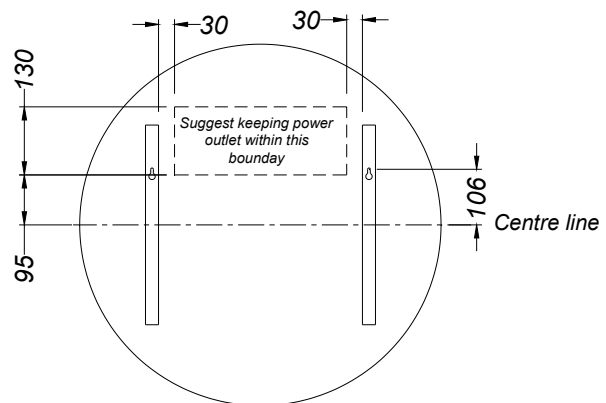
The Illuminar mirror must be installed in accordance to the New Zealand Electrical Code of Practice

Installation

Power outlet – The Illuminar mirror requires a 240v single phase power source, we recommend the power source is located in the approximate positions below to avoid any mounting issues

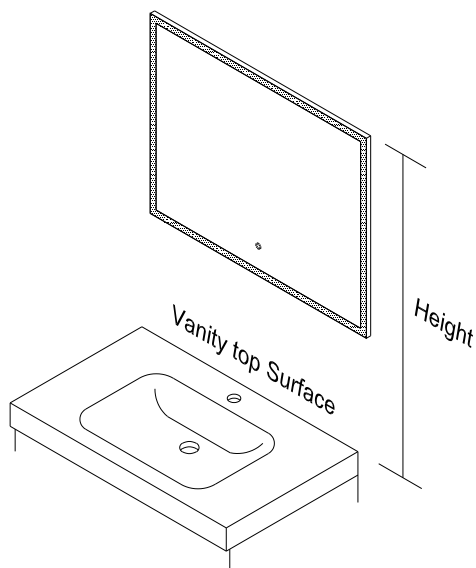


Typical Illuminar Rectangular



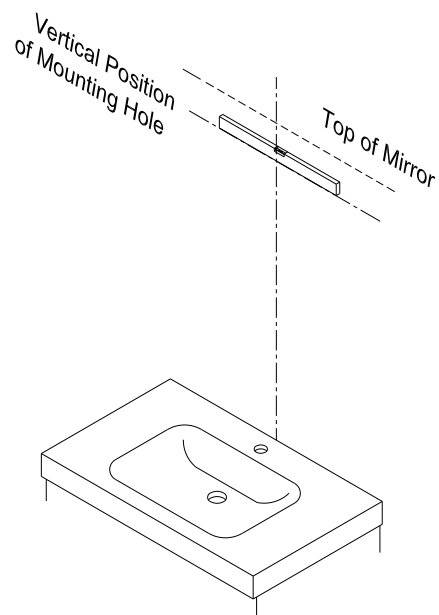
Illuminar Round

Step 1



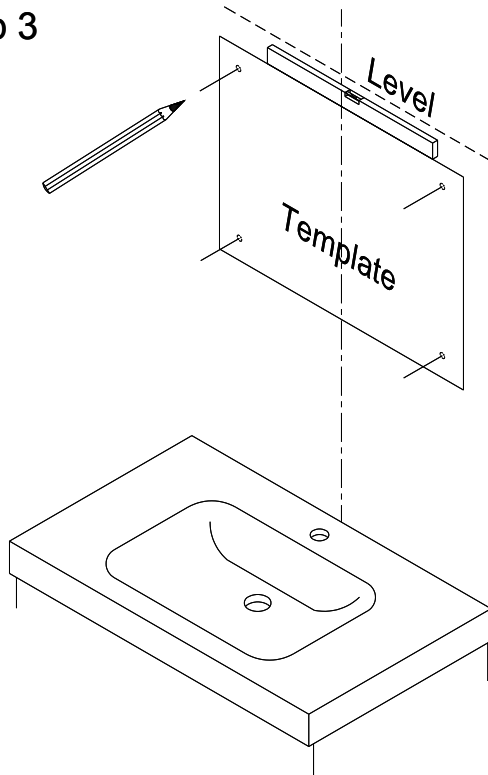
Determine the height of the Illuminar mirror.
Do not mount the Mirror hard down onto the vanity top

Step 2



Measure the vertical distance of the top mounting holes from the rear of the Illuminar mirror. Measure this distance down from the where the top of the mirror will be. Using a spirit level and a pencil mark a horizontal line keeping it within the length of the mirror

Step 3

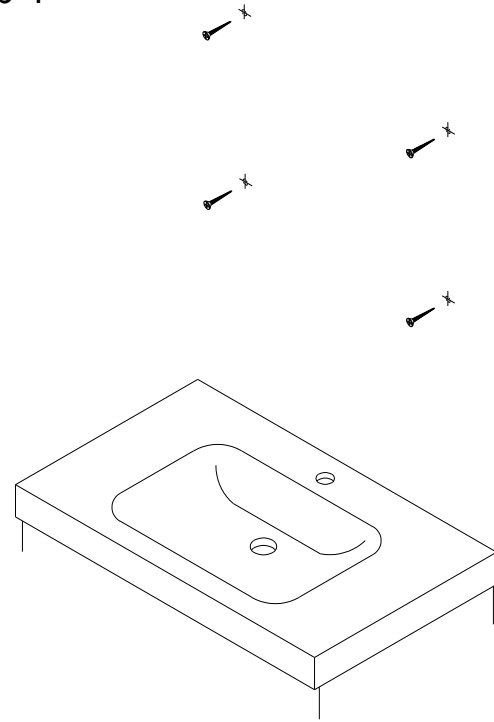


The Illuminar mirror is provided with a Paper template with the Mounting bracket hole positions punched into it

Place the template with its holes aligned to the pencil line ensuring it is central over the vanity top. Check the template is level

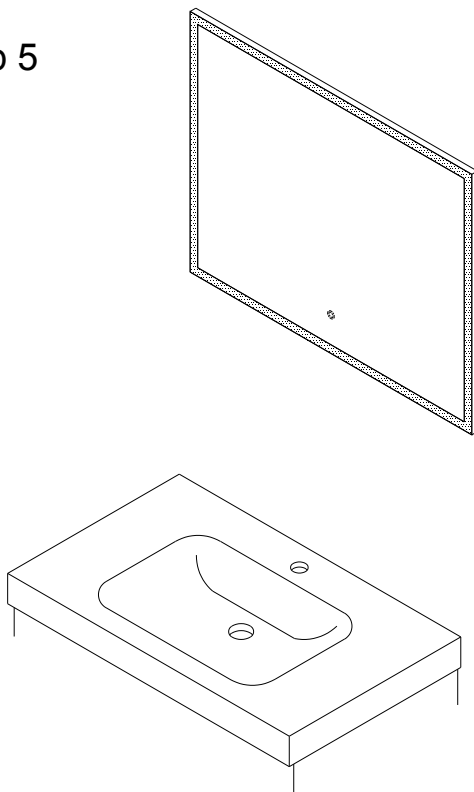
Tape in place and mark hole centres.

Step 4



Drill and insert the screws. If there are no solid fixings to screw into wall anchors must be used

Step 5



Connect the wiring and hang the Illuminar Mirror in position

Operating

- To turn the Illuminar mirror on lightly press the On/Off sensor located on the face of the mirror
- To change the Lighting mode press and hold the On/Off sensor for 3 seconds
- The Demister Function will automatically turn on when the mirror is illuminated